

Shick Solutions

**Product
Branding
Manual**

As of January 2017





This document specifies Shick Solutions vinyl decal branding for Shick products, vinyl sticker branding for Shick controls panels and label information for purchased Bray butterfly valves. Included are visual references and guides to decal/sticker/label size and placement, vendor information, pricing, material specifications and an appendix of data sheets, quotes, invoices and certificates of insurance.

Table of Contents

Decal Specs.....3

Decal Data Sheet Summary.....6

Decal Vendor/Pricing Info.....7

Controls Stickers Specs.....8

Controls Stickers Vendor/Pricing Info.....9

Filters

IQC.....11

MQC.....12

CQC.....13

Valves

Rotary Valve.....14

Lumpbreaker.....15

SAM Valve.....16

Piping

Liquid Totes.....17

Bulk Bag Unloader.....18

Scale/Receiving Hoppers.....19

Hand Dump.....20

Sifters.....21

Control panels.....22

Blowers.....23

Private Label/Outsourced Product Branding

Silos.....25

Bray valves.....28

Appendix.....32

Decal, Sticker, Label Size/Specs

Vendor Information

Vendor Pricing



SHICK™
SOLUTIONS



Shick Solutions Logo Vinyl Decal Specs

Color: PMS 299 Blue
printed to match 951 Light Blue Vinyl



Small: 4.5" h x 3.5" w



Medium: 8.5" h x 7" w



Large: 12" h x 10" w



Shick Solutions SAM Vinyl Decal &
Patent Pending Printed Sticker Specs

Color: PMS 299 Blue
printed to match 951 Light Blue Vinyl



SAM

SHICK AIR MANAGEMENT

SAM: 5.5" h x 14" w

PATENT PENDING

Patent Pending: 1" h x 6" w



Shick Solutions Logo (Piping Size) Vinyl Decals

**Color: PMS 299 Blue
printed to match 951 Light Blue Vinyl**



1.5" h x 3.75" w



3" h x 7.5" w



Oracal 951 Premium Cast Vinyl Data

Description

Premium cast PVC film for plotter applications with optimal cutting and application characteristics. Specially developed for lettering, marking and decoration. Particularly suitable for high quality advertising on vehicle and public transport systems. Suitable for application onto uneven and curved surfaces, as well as over rivets and corrugations. Surface has a high glossy finish. Available in numerous colours and in matte, white or black. The high glossy finished surface is suitable for thermal transfer printing (with resin ribbons).

Release Paper

Special silicone coated paper on one side, 137 g/m², which provides excellent weed-stripping properties. For white vinyl, a light blue silicone coated paper is used, to form a stronger contrast to lettering.

Adhesive

Solvent polyacrylate, permanent

Certificates

General Type Approval (ABG) acc. to § 22a StVZO (~~~D5438)

Technical Data

Thickness* (without paper and adhesive): 50 micron

Dimensional stability (FINAT TM 14): Adhered to steel, shrinkage 0,1 mm max.

Temperature resistance:** Adhered to aluminium, -50° C to +110° C, no variation

Sea water resistance (DIN 50021): Adhered to aluminium, after 100h/23° C no variation

Resistance to solvents and chemicals: At room temperature, 72h after adhesion to aluminium, short-term resistant to most oils and greases, fuels, aliphatic solvents, weak acids and alkalis

Adhesive power* (FINAT TM 1, after 24h, stainless steel): 18 N/25 mm

Tensile strength (DIN EN ISO 527): Along: min. 21 MPa (metallic: 19 MPa)
Across: min. 21 MPa (metallic: 19 MPa)

Elongation at break (DIN EN ISO 527): Along: min. 150% (metallic: 120%)
Across: min. 150% (metallic: 120%)

Shelf life: 2 years

Application temperature: > +8° C

Maximum service life by specialist application and proper care and usage

Applies for vertical outdoor exposure and normal climate of Central Europe.

Please follow the additional notes at the end of this data sheet. Further information is available here: www.oracal.com/gp/europe/en/support

Black / white: 10 years

Transparent / coloured: 8 years

Metallic: 6 years

**Brilliant blue L, copper, gold,
metallic, bronze, pale gold, pyrite,
redgold L, foliage green metallic,
steppe green metallic:** 3 years

* average ** short-term exposure *** in original packaging, at 20° C and 50% relative humidity



Vinyl Decals: Logo (S/M/L, piping), SAM and Patent Pending Stickers (PO Reference V# 3039, billed to R&D 64005270)

Vendor Contact Information/Pricing * Pricing as of 1/1/2017

Denise Henley

Keniki Co.

denise@kenikico.com

816.698.9700

Pricing: Shick Solutions Logo Vinyl Decals

Small decal: \$1 each @ 1000 quantity order

Medium decal: \$2.94 each @ 500 quantity order

Large decal: \$5.37 each @ 250 quantity order

1.5" h piping decal: \$.60 each @ 500 quantity order

3" h piping decal: \$1.05 each @ 500 quantity order

Pricing: SAM Valve Vinyl Decals

\$3.84 each @ 50 or 100 quantity order

Pricing: Patent Pending Stickers

\$150 minimum for 165 quantity order

\$.92 each @ 250 quantity order

Lead Time

3-7 days



1.8" h x 4.6" w



3.25 " h x 9.5" w

Pitbull Digital Print Vinyl

Description: White, soft, flexible vinyl with a clear extremely aggressive permanent adhesive suited for hard-to-stick surfaces including Thermoplastic Olefin. This vinyl is suited for solvent ink jet printing and thermal printing. Different combinations of Convexil™ or Pro-Shield™ laminates can be used to achieve a variety of decal thicknesses.

Thickness: 3 mil vinyl with 2 mil. of adhesive.

Outdoor Life: 2 years

Shelf Life: 2 years stored at 70° F & 50%RH

Service Temperature Range: (40° F to 176° F)

Minimum Application Temp. 50° F

Adhesive Properties: 2 mils. of permanent acrylic pressure sensitive adhesive works for most surfaces including textured low energy plastic and metal surfaces

LEXAN® Overlaminate

Description: Clear LEXAN® with an embossed velvet texture and a clear permanent acrylic adhesive. Use for overlaminating. This laminate has excellent heat stability and resistance to scratches and finger prints. It is rated as a five-year UV stable film with UV inhibitors to prolong the color of the graphics. It has a polyester liner for smoother lamination.

Thickness: 5 mil. Lexan®, plus 2.0 mils of adhesive.

Outdoor Life: UV stable. for 5 years

Shelf Life: 2 years stored at 70°

Service Temperature Range: (-40° F to 212° F)

Minimum Application Temp.: 50° F

Adhesive Properties: General purpose permanent acrylic pressure sensitive adhesive works on most surfaces



**Controls Stickers (Invoice #34627, billed to Shipping
51505418)**

Vendor Contact Information/Pricing * Pricing as of 1/1/2017

Susan Willens

Photo-Graphics Co.

susan@pgnameplates.com

816.761.3333

Pricing: Controls Stickers

Small vinyl label: \$1.85 each @ 250 quantity order

Large vinyl label: \$5.21 each @ 250 quantity order

Lead Time

10 business days to ship

Decal, Sticker & Label Size/Placement on Shick Products

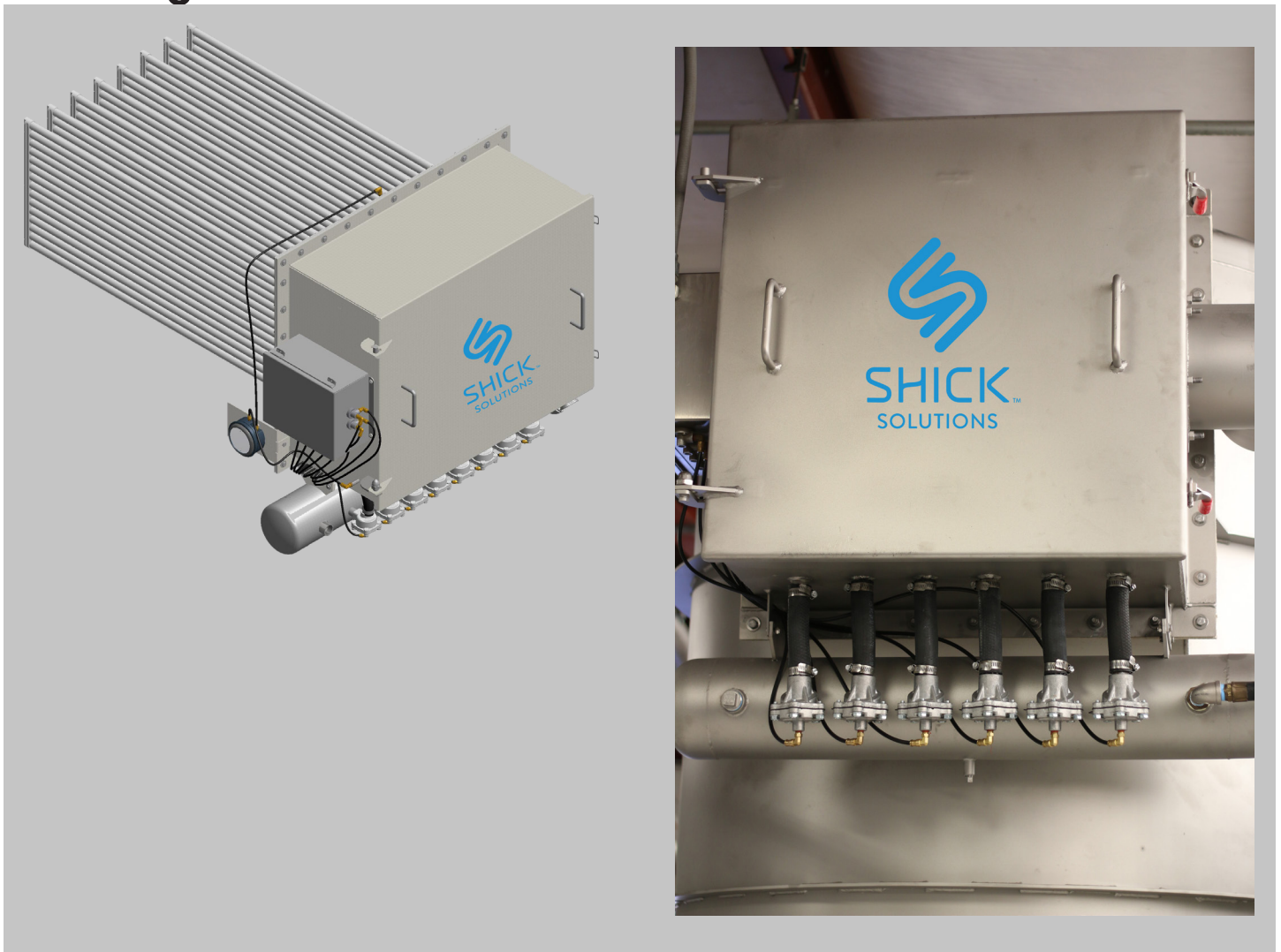




IQC Filter

Decal Size: Large decals

Decal Location: Outside door, centered top to bottom, left to right for sizes up to 12; 12 and 16 have two large stickers on each side that opens outward, centered from top to bottom, left to right



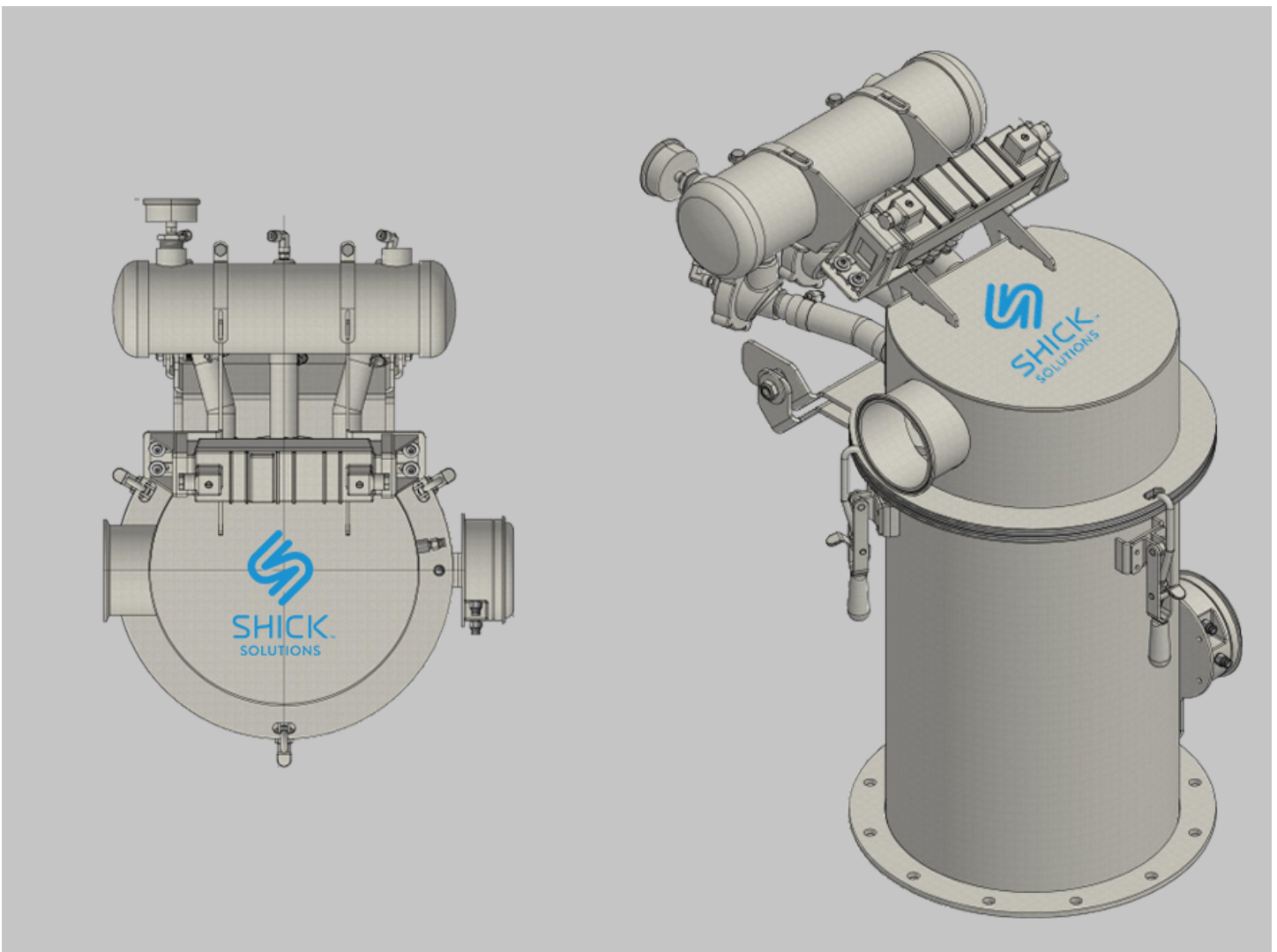


MQC Filter (all models CF9 and PF5)

Decal Size: Small

Decal Location: Top of the filter, viewing from the non-manifold side, centered from left to right, top to bottom of the circle

*Consult with R&D team/project & field teams to determine if extra decals are necessary on filter body for increased visibility.



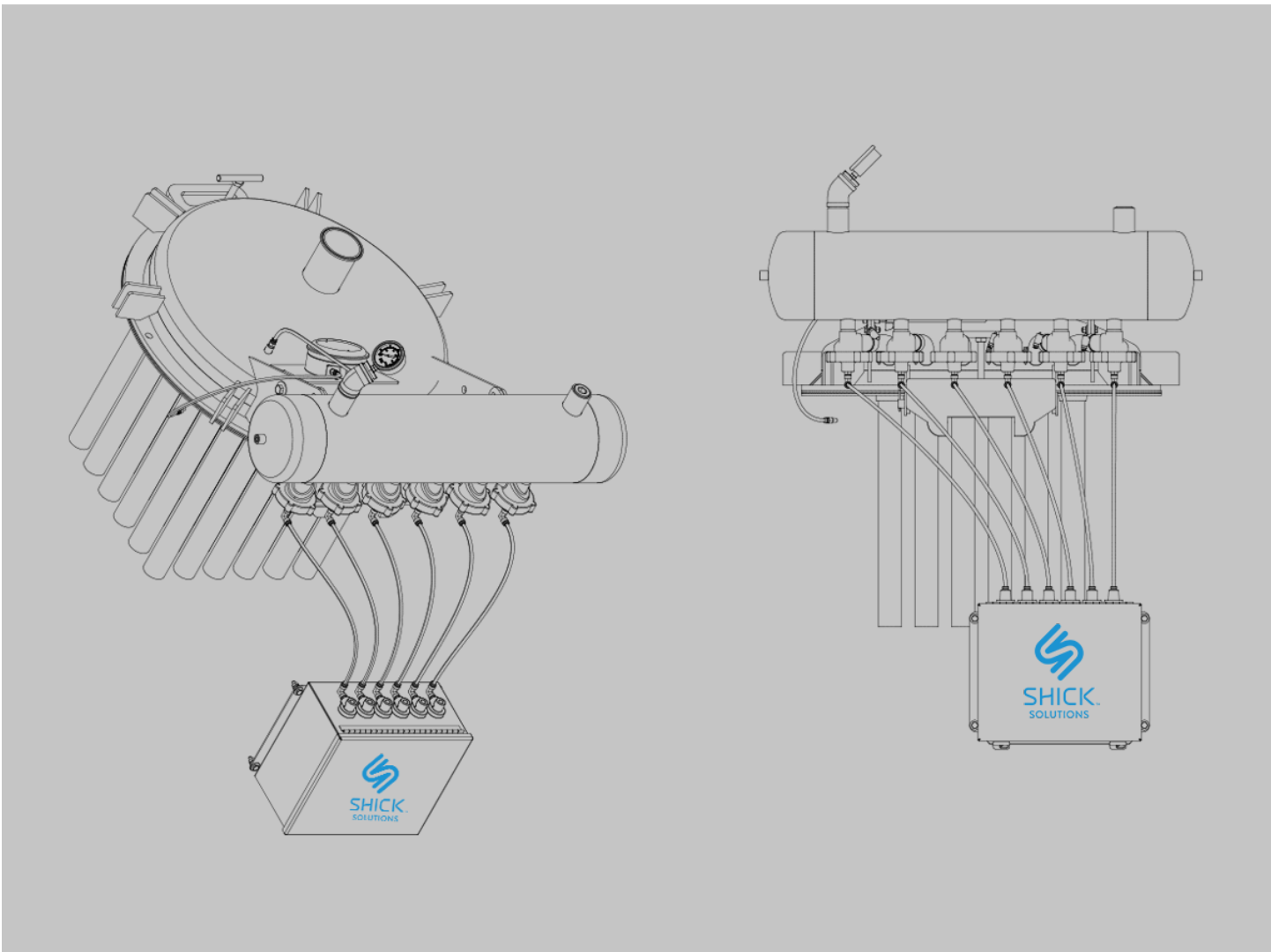


CQC Filter

Decal Size: Small

Decal Location: Timer box

* Consult with R&D team/project & field teams to determine if extra decals are necessary on filter body for increased visibility.

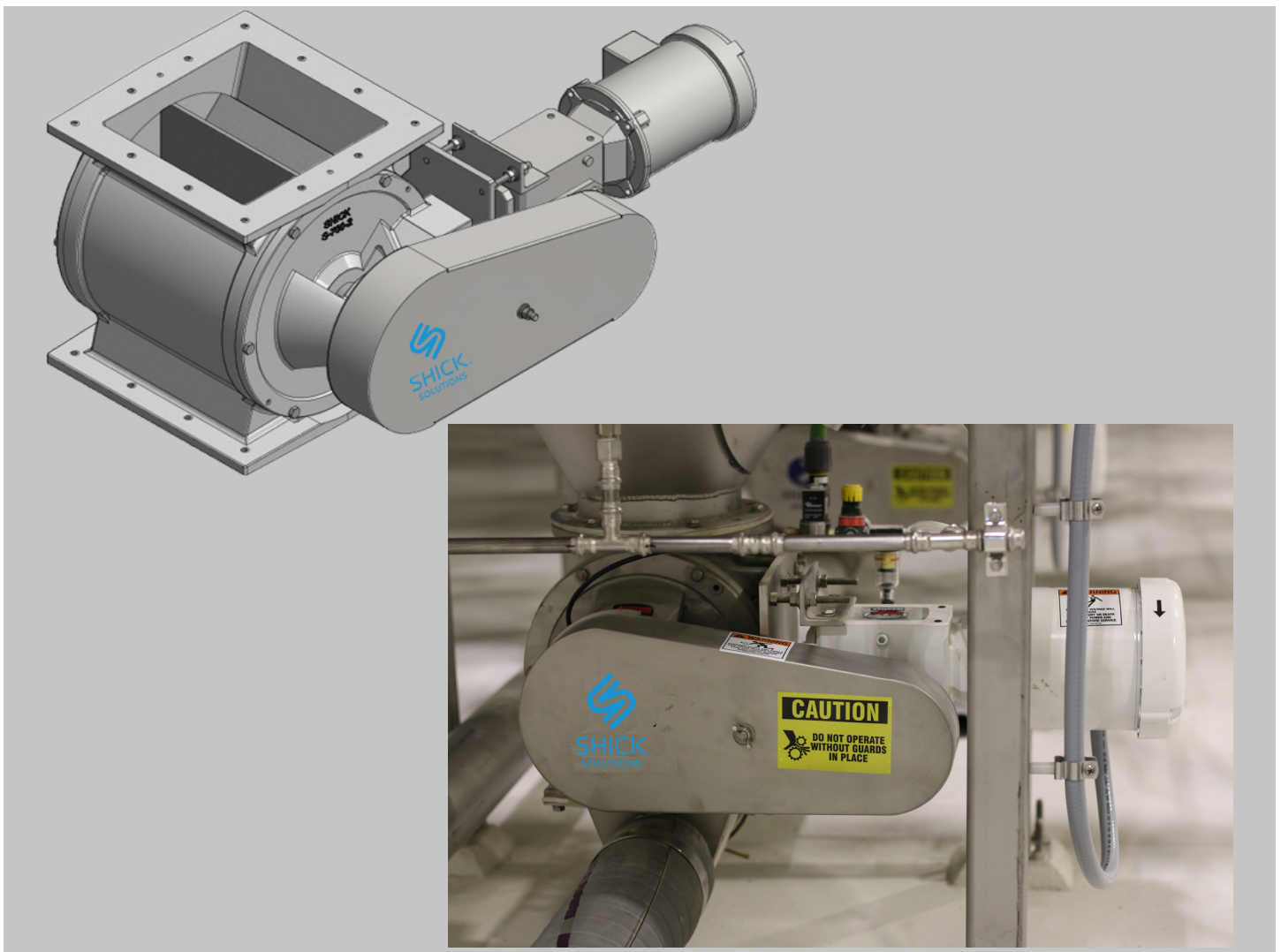




Rotary Valves

Decal Size: Small

Decal Location: Outside left alignment, rounded side of chain guard for airlocks/feeders, centered top to bottom

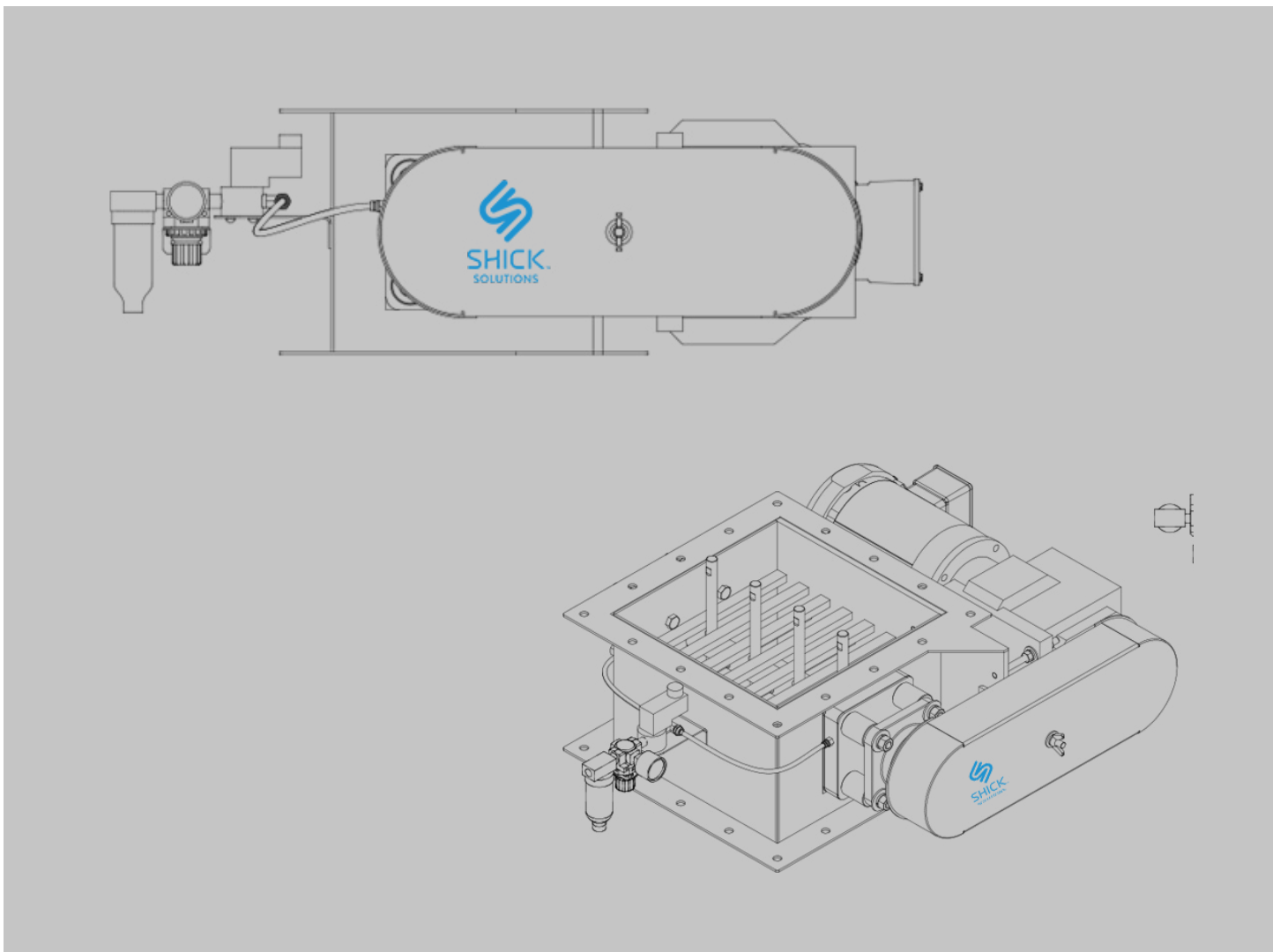




Lumpbreakers

Decal Size: Small

Decal Location: Outside left alignment, rounded side of chain guard, centered top to bottom (same as airlocks/feeders)





SAM Valve

Decal: SAM decal with patent pending sticker

Decal/Sticker Location: SAM decal centered on the valve from top to bottom, left to right; patent pending sticker at bottom right





Liquid Totes

Decal Size: 3" piping decal

Decal Locations: 1) Front lower frame member, off center to the left with the lower edge of SOLUTIONS on the horizontal center line of the frame tube 2) Outside of surge tank, centered left to right, top to bottom

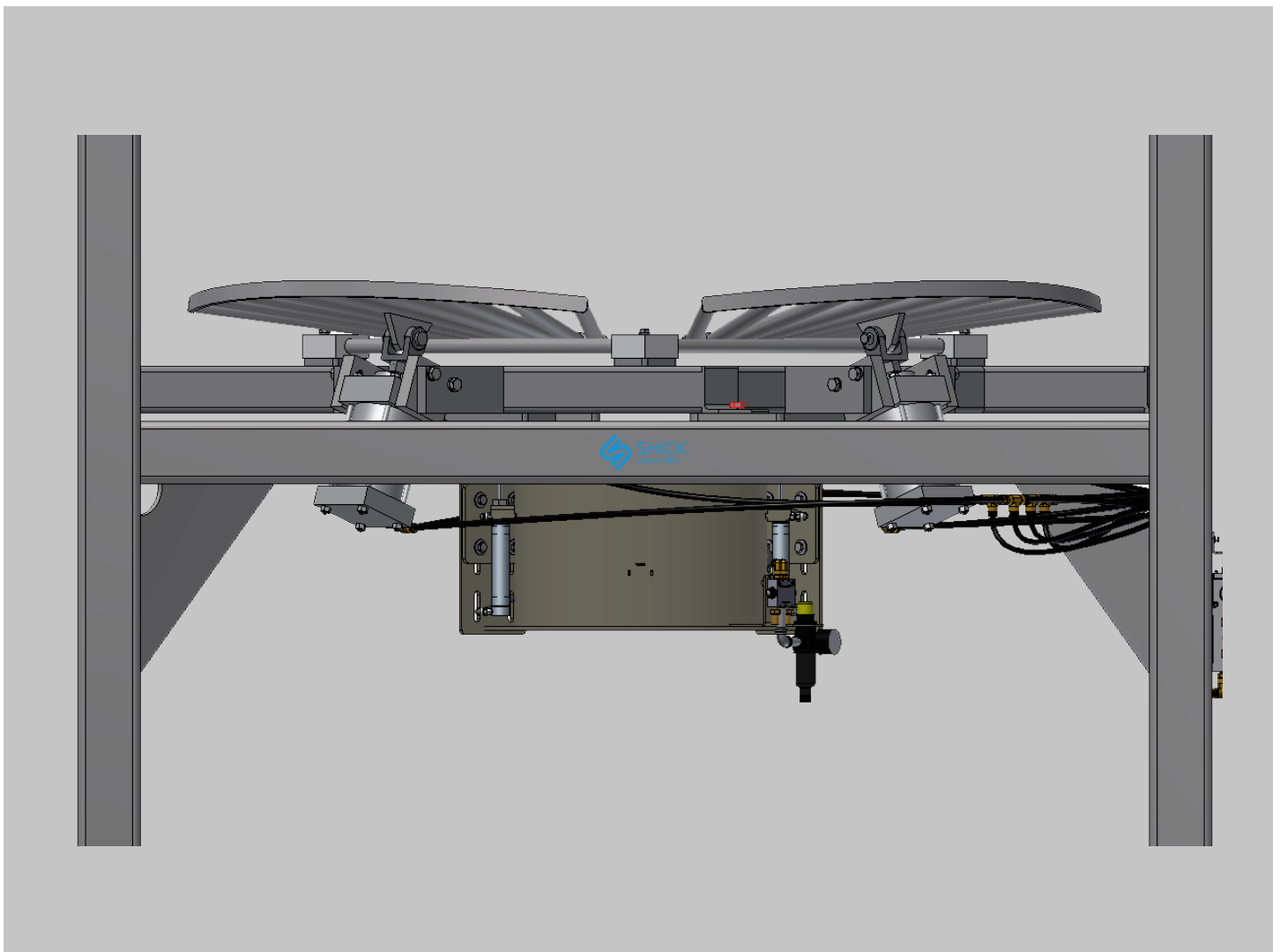




Bulk Bag Unloaders

Decal Size: 3" piping decal

Decal Location: The square tube frame member below the wagon wheels, centered from top to bottom and left to right





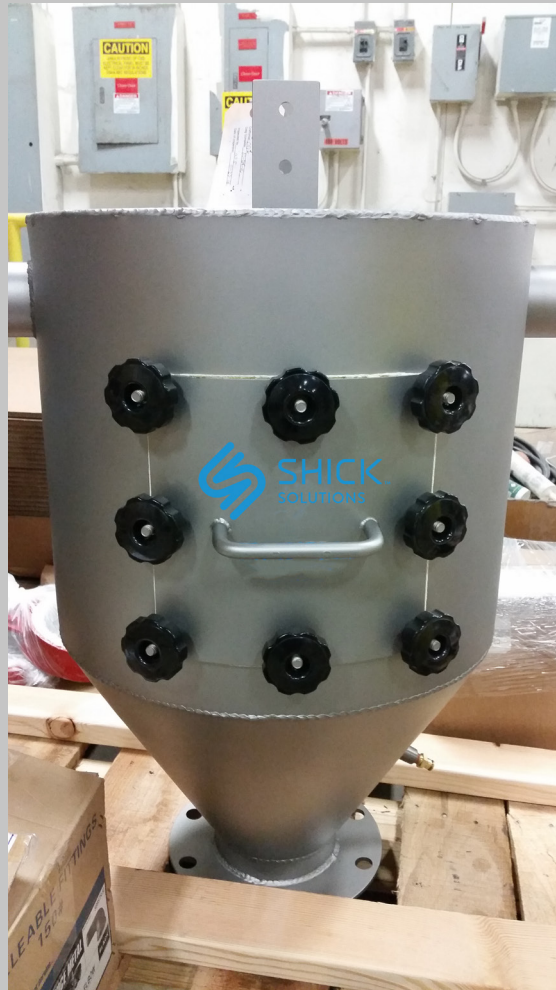
Scale/Receiving Hoppers

Decal Size: 3" piping decal

Decal Location: Door of the receiver/hopper, above the handle

* If a vertical handle orientation presents an issue with the 3" piping decal due to space constraints, use the smaller 1.5" piping decal instead.

* Consult with R&D team/project & field teams for custom hoppers to determine consistent decal size, orientation and location for hoppers of the 1) same design, 2) door and handle type and 3) size.

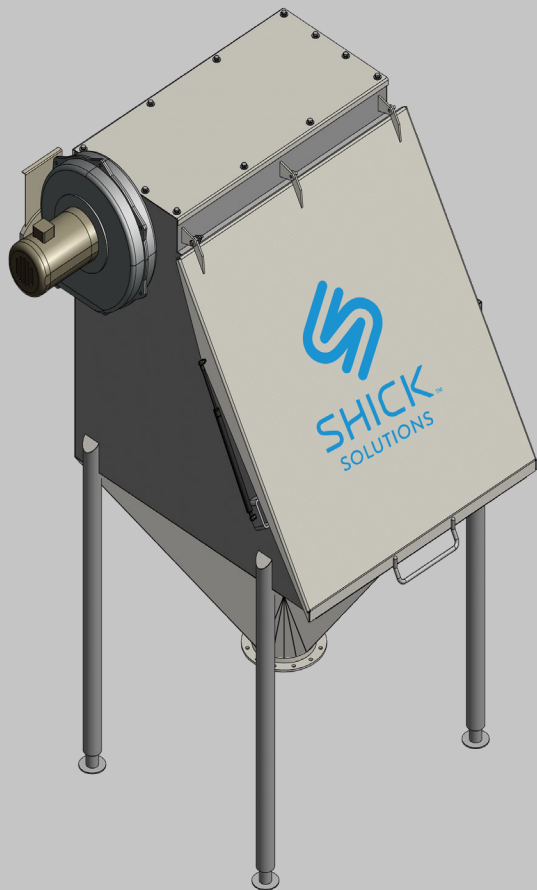




Hand Dump

Decal Size: Large

Decal Location: Centered from top to bottom, left to right on the outside of the door

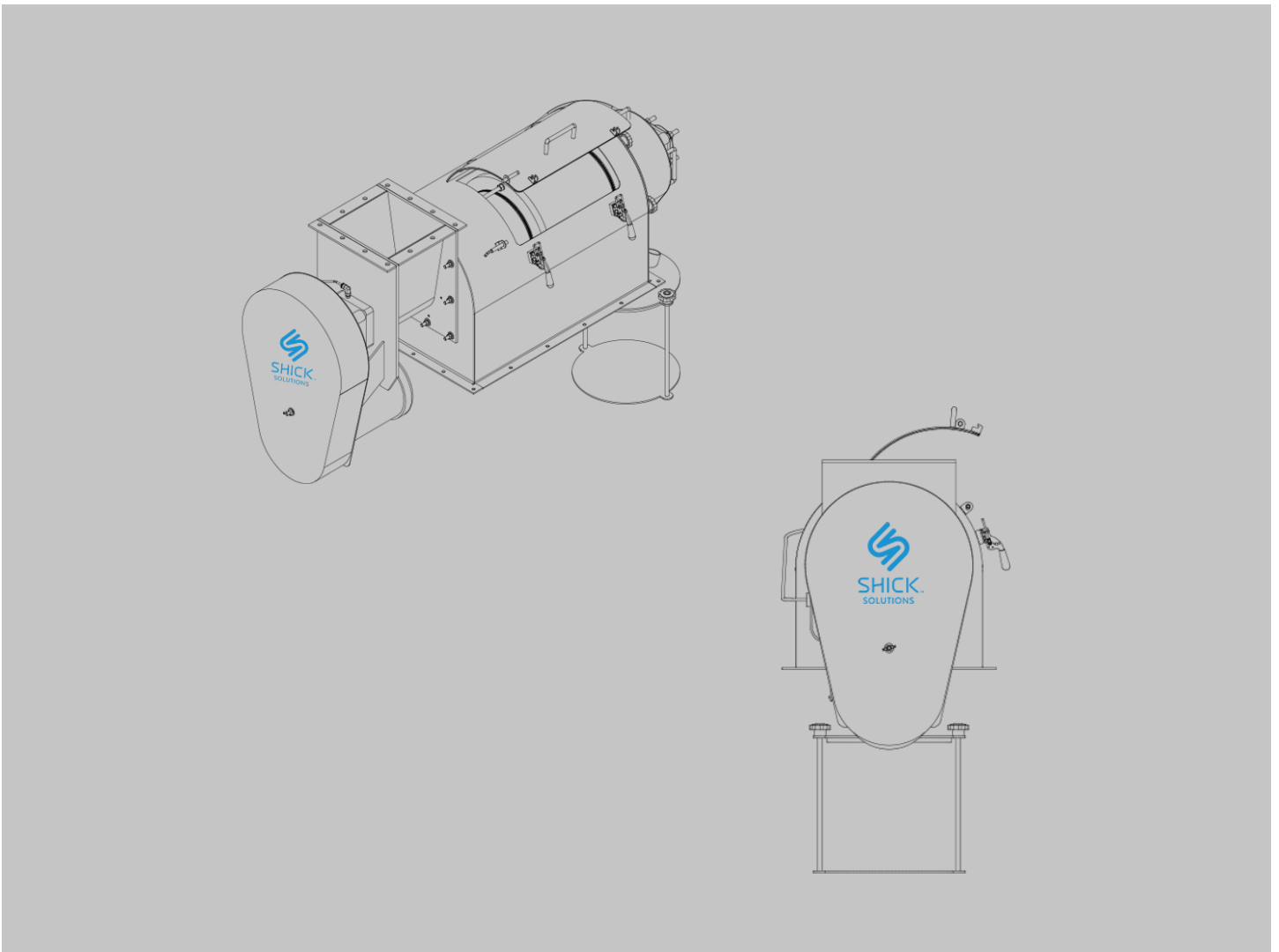




Sifters

Decal Size: Medium

Decal Location: On top of guard, centered from left to right, top to stud





Control Panels

Sticker Size: Small/Large

Sticker Location:

Small panels - Small sticker centered above the Allen Bradley PLC

Large panels - Large sticker located 9" from the bottom and centered left to right above design of contract, left side of a double-door panel

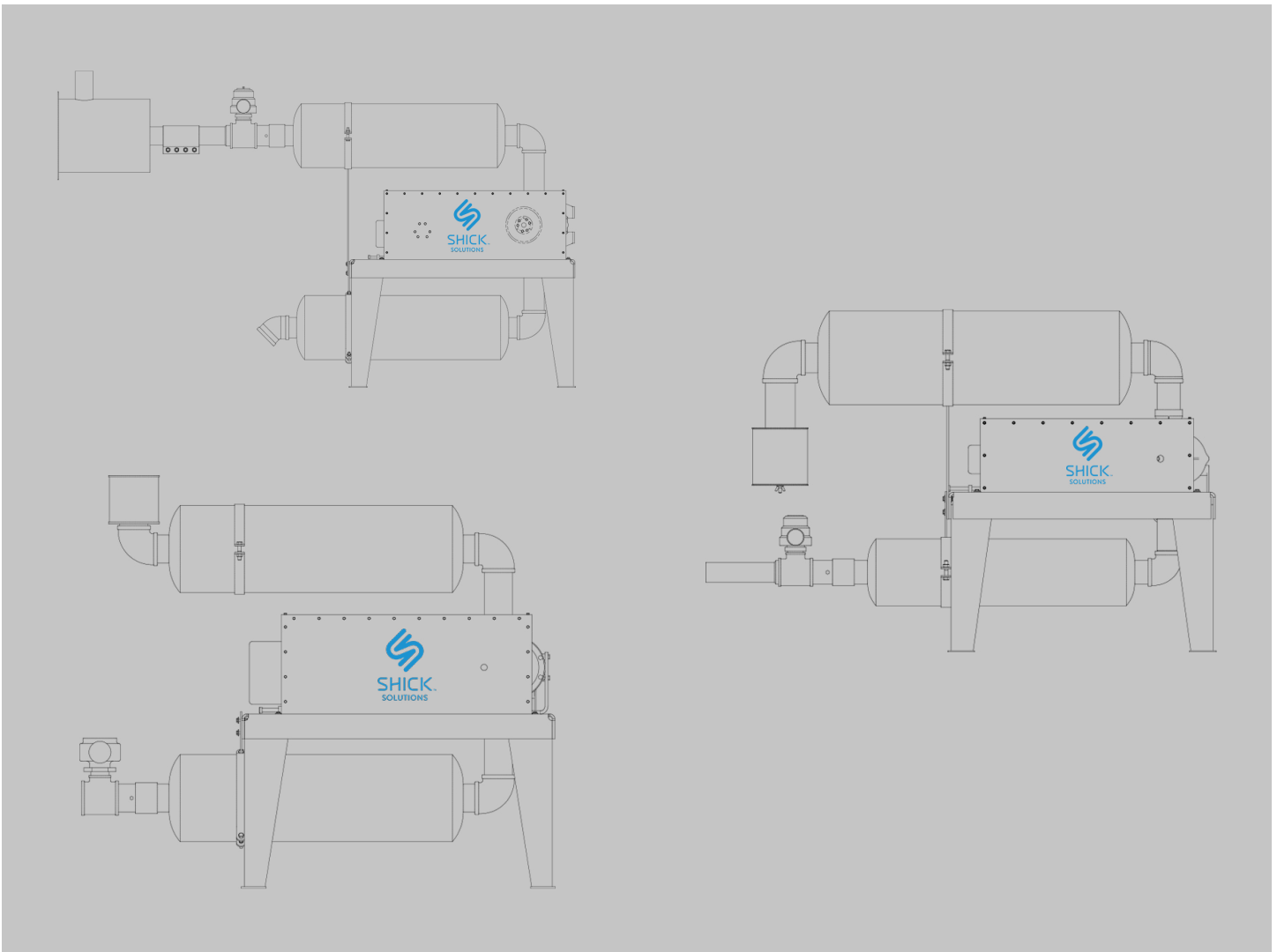




Blowers

Decal Size: Large

Decal Location: Centered on the guard from top to bottom, left to right



Private Label/Outsourced Product Branding





Shick Solutions Silo Logo Vinyl Decal Specs

Color: PMS 299 Blue
printed to match 951 Light Blue Vinyl



18" h x 15" w

22" h x 18" w

24" h x 19.75" w

SHICK™
SOLUTIONS



SHICK™
SOLUTIONS

18" h x 44.5" w



Vinyl Decals: Logo for Silos

Vendor Contact Information/Pricing * Pricing as of 1/1/2017

Denise Henley

Keniki Co.

denise@kenikico.com

816.698.9700

Pricing: Shick Solutions Logo Vinyl Decals

Vertical 18" h x 15" w: \$16 each @ 1-15 qty.

Vertical 22" h x 18" w: \$22 each @ 1-15 qty.

Vertical 24" h x 19.75" w: \$25 each @ 1-15 qty.

Horizontal 18" h x 44.5" w: \$40 each @ 1-15 qty.

*** If you buy a larger quantity of 150 decals, the pricing is as follows:**

Vertical 18" h x 15" w: \$10.81 each

Vertical 22" h x 18" w: \$14.94 each

Vertical 24" h x 19.75" w: \$17.76 each

Horizontal 18" h x 44.5" w: \$29.70 each

Lead Time

3-7 days



Silos

Decal Size: TBD

Decal Location: Upper part of the silo six inches from the top, centered left to right as the structure curves





Shick Solutions
Butterfly Valves (Bray) Labels

Color: Shick Red Line Pattern



2" - 10" valves: 3" h x 4" w



12" valves: 6" h x 4" w

**Adhesive labels
(DIGITAL PRESS)
60# Permanent Adhesive Split**



Butterfly Valve (Bray) Labels

Vendor Contact Information/Pricing * Pricing as of 1/1/2017

Justin Young

Richardson Group

justin.young@richardson-group.com

913.240.5703

Pricing: Shick Solutions Butterfly Valve (Bray) Labels

Run of 400 quantity for 4" w x 3" h label (small) and 150 quantity for 6" w x 4" h (large): \$439.40

Lead Time

3-7 days



Butterfly Valves (Bray)

Label Size: 3" h x 4" w label for 2" - 10" valve sizes
4" h x 6" w label for 12" valve sizes

Label Location: Placed to cover the Bray valve name/info,
squared and centered



Appendix: Data Sheets, Quotes, Invoices & COI's



SHICK™
SOLUTIONS

Description

Premium cast PVC film for plotter applications with optimal cutting and application characteristics. Specially developed for lettering, marking and decoration. Particularly suitable for high quality advertising on vehicle and public transport systems. Suitable for application onto uneven and curved surfaces, as well as over rivets and corrugations. Surface has a high glossy finish. Available in numerous colours and in matt white or black. The high glossy finished surface is suitable for thermal transfer printing (with resin ribbons).

Release Paper

Special silicone coated paper on one side, 137 g/m², which provides excellent weed-stripping properties. For white vinyl, a light blue silicone coated paper is used, to form a stronger contrast to lettering.

Adhesive

Solvent polyacrylate, permanent

Certificates

General Type Approval (ABG) acc. to § 22a StVZO (~~~D5438)

Technical Data

Thickness* (without paper and adhesive)	50 micron
Dimensional stability (FINAT TM 14)	Adhered to steel, shrinkage 0,1 mm max.
Temperature resistance**	Adhered to aluminium, -50° C to +110° C, no variation
Sea water resistance (DIN 50021)	Adhered to aluminium, after 100h/23° C no variation
Resistance to solvents and chemicals	At room temperature, 72h after adhesion to aluminium, short-term resistant to most oils and greases, fuels, aliphatic solvents, weak acids and alkalis
Adhesive power* (FINAT TM 1, after 24h, stainless steel)	18 N/25 mm
Tensile strength (DIN EN ISO 527)	Along: min. 21 MPa (metallic: 19 MPa) Across: min. 21 MPa (metallic: 19 MPa)
Elongation at break (DIN EN ISO 527)	Along: min. 150% (metallic: 120%) Across: min. 150% (metallic: 120%)
Shelf life***	2 years
Application temperature	> +8° C
Maximum service life by specialist application and proper care and usage Applies for vertical outdoor exposure and normal climate of Central Europe. Please follow the additional notes at the end of this data sheet. Further information is available here: www.orafol.com/gp/europe/en/support	Black / white: 10 years Transparent / coloured: 8 years Metallic: 6 years Brilliant blue L, copper, gold, metallic, bronze, pale gold, pyrite, redgold L, foliage green metallic, steppe green metallic: 3 years

* average ** short-term exposure *** in original packaging, at 20° C and 50% relative humidity

Appendix 1

Note

The above information is based upon our present knowledge and practical experience. The information is given without any guarantee or agreement with regards to the quality or properties of the material. It does not constitute a warranty of any certain quality, properties and/or service life concerning the ORAFOL® colour films.

For application of the ORAFOL colour films (wrapping and removal) as well as for maintenance and use, refer to our documents 'Processing Guidelines' and 'Maintenance and Usage Terms' (both documents are available for pdf download: www.orafol.com/gp/europe/en/support). If our guidelines are not followed, please be advised that in particular the maximum service life information, stated as based on our experience, does not apply. Further information about the expected maximum service life is found in the Processing Guidelines (see no. 2 there). If the Processing Guidelines and Maintenance and Usage Terms are not complied with, any warranty and liability is excluded.

Please contact a professional workshop or ORAFOL's customer support if you have further questions.

The batch traceability according to ISO 9001 is done on the base of the roll number.

IMPORTANT NOTICE

All ORACAL® products are subject to careful quality control throughout the manufacturing process and are warranted to be of merchantable quality and free from manufacturing defects. Published information concerning ORACAL® products is based upon research which the Company believes to be reliable although such information does not constitute a warranty. Because of the variety of uses of ORACAL® products and the continuing development of new applications, the purchaser should carefully consider the suitability and performance of the product for each intended use, and the purchaser shall assume all risks regarding such use. All specifications are subject to change without prior notice.

ORACAL® is a registered trademark of ORAFOL Europe GmbH





Material Safety Data Sheet

May be used to comply with OSHA's Hazard Communication Standard, 29 CFR 1910.1200. Standard must be consulted for specific requirements.

U.S. Department of Labor
Occupational Safety and Health
Administration
(Non-Mandatory Form)
Form Approved
OMB No. 1218-0072



IDENTITY	ORACAL PVC-films
-----------------	-------------------------

Section I

Manufacturer's Name	Emergency Tel.: n.a.
ORAFOL-Klebetchnik GmbH	Tel. for information: 0049 3301 864 0
Am Biotop 2 D - 16515 Oranienburg	Date: 10.02.05
Germany	

Section II - Hazardous Ingredients/Identity Information

Hazardous Components (Specific Chemical Identity; Common Name(s))	OSHA PEL	ACGIH TLV	Other Limits Recommended	% (optional)
none				



Section III - Physical/Chemical Characteristics

Boiling Point	n.a.	Specific Gravity (H ₂ O = 1)	n.a.
Vapor Pressure (mm Hg)	n.a.	Melting Point	n.a.
Vapor Density (AIR = 1)	n.a.	Evaporation Rate (Butyl Acetate = 1)	n.a.
Solubility in Water		n.a.	
Appearance and Odor		n.a.	

Section IV - Fire and Explosion Hazard Data

Flash Point (Method Used)	Flammable Limits	LEL	UEL
Extinguishing Media		all types	
Special Fire Fighting Procedures		none	
Unusual Fire and Explosion Hazards temperatures		PVC-films develop gaseous HCl at flame temperatures	

(Reproduce locally)

OSHA 174, Sept. 1985

Section V - Reactivity Data

Stability	Unstable	no	Conditions to Avoid
	Stable	X	
Incompatibility (<i>Materials to Avoid</i>)			
Hazardous Decomposition or Byproducts			
Hazardous Polymerization	May Occur	no	Conditions to Avoid



	Will Not Occur	X	
--	----------------	---	--

Section VI - Health Hazard Data

Route(s) of Entry:	Inhalation?	Skin?	Ingestion?
Health Hazards (<i>Acute and Chronic</i>)		none	
Carcinogenicity:	NTP?	IARC Monographs?	OSHA Regulated?
		none	
Signs and Symptoms of Exposure		none	
Medical Conditions Generally Aggravated by Exposure temperatures		PVC-films develop gaseous HCl at flame temperatures	
Emergency and First Aid Procedures		not necessary	

Section VII - Precautions for Safe Handling and Use

Steps to Be Taken in Case Material is Released or Spilled	
n.a.	
Waste Disposal Method: landfill or incinerate in a commercial facility	Dispose in a sanitary
Precautions to Be taken in Handling and Storing	



	not necessary
Other Precautions	not necessary



Section VIII - Control Measures

Respiratory Protection (<i>Specify Type</i>)			<i>n.a.</i>
Ventilation	Local Exhaust		Special
	Mechanical (<i>General</i>)		Other

Protective Gloves	<i>n.a.</i>	Eye Protection	<i>n.a.</i>
Other Protective Clothing or Equipment		<i>n.a.</i>	
Work/Hygienic Practices		not necessary	

* U.S.G.P.O.: 1986 - 491 - 529/45775

1. description of item production and manufacture

trade name: ORACAL® 951
"Special colours available on request"

use: self adhesive film

manufacturer

Orafol Europe GmbH
Orafolstrasse 2
D - 16515 Oranienburg
Tel.: + 49 03301 864 0
Fax.: + 49 03301 864 100
E-mail address: p.kanert@orafol.de

Emergency Telephone

Information centre for symptom of poisoning Berlin + 49 030 19 240

2. possible dangers

risk to human beings and environment: none

3. composition / information about components

chemical characteristics

pvc - film
polyacrylate adhesive
silicone - coated paper

information

Product contain substances of the "Candidate List of Substances of Very High Concern for authorisation" ECHA:

Lead chromate molybdate sulphate red (C.I. Pigment red 104)
CAS-Nr. 12656-85-8, EINECS-Nr. 235-759-9 > 0.1 % (w/w)
and/or
Lead sulfochromate yellow (C.I. Pigment yellow 34)
CAS-Nr. 1344-37-2, EINECS-Nr. 215-693-7 > 0.1 % (w/w)
in the colours Nr.:20, 25, 30, 91, 181, 183, 337, 351, 380, 614, 652, 805, 927

* The original components which are used in the formulation of these products form the basis of evaluation. This statement refers to the condition when leaving the factory ORAFOL Europe GmbH in Oranienburg.

This information is based on our current knowledge and practical experience. It cannot be excluded that minor traces are included in the materials due to contamination of single raw material components which cannot be avoided from the technical point of view. Routine analyses of our products concerning contents of the above-mentioned components are not carried out. For factors which are beyond our knowledge and control any guarantee and liability cannot be accepted.

The statement refers to our current production. Old stock could deviation from the assessment.

4. recommendations for first medical aid

general information

after inhalation	none
after contact with the skin	none
after contact with the eyes	none
after having swallowed up	none
special information for the doctor	none

5. recommendation for fire fighting

suitable fire extinguishing media all types

fire extinguishing media which are not suitable for safety reasons

None

special danger by the material itself and from combustion products

hazardous decomposition products at flame temperature: carbon dioxide, carbon monoxide. PVC-films develop gaseous HCl at flame temperature.

special protecting equipment none

additional information none

6. recommendations in case of unintentional escape

recommendations in respect of persons: none

recommendations regarding environment: none

recommendatin for cleaning: none

additional information: none

7. handling and storage

information for use with danger

none

information regarding fire prevention and explosion

none

requirements to storage places and storage containers

none

further information

none

8. limitation of exposition and personal protective equipment

supplementary information regarding construction of technical plants

none

contents regarding working place and threshold values that have to be supervised

not applicable

personal protective equipment

breathing protection

not necessary

hand protection

not necessary

eye protection

not necessary

body protection

not necessary

hygiene recommendatin

as usual regarding working place

9. physical and chemical properties

phenotype

appearance

solid

colour

according to desired tint

odour

none

data regarding security

pH-value

not applicable

boiling point

not applicable

melting or fusing point

not applicable

flash point

not applicable

flammability on solid bases

not applicable

flammability of gases:

not applicable

flammable temperature

not applicable

spontaneous ignition of the solid

not applicable

spontaneous ignition of the gas

not applicable

properties assisting inflammation

not applicable

danger of explosion

not applicable

limits of explosion

not applicable

consistency/density

not applicable

water solubility/fat solubility

not applicable

viscosity

not applicable

10. stability and reactivity

conditions to be avoided	not applicable
substances to avoid	not applicable
dangerous decomposition of products	none in case of appropriate use

11. information regarding toxicology

acute toxicology

classification limit LD₅₀/LC₅₀-value

oral	not determined
dermatologic	not determined
inhalative	not determined

irritating effects

to skin	not applicable
to eyes	not applicable

sensitizing effects

look to general remarks

experience from the practical use

experience classification	not applicable
other experience	not applicable

general remarks

Due to generally increasing allergic influences direct contact to the tacky surface should be avoided as far as possible as specific reactions to human skin cannot be excluded.

12. information regarding ecology

information regarding elimination not determined
(product life and decomposition)

environmental properties not applicable

eco- toxic reactions

aquatic effects generally speaking no danger to water
(self classification)

additional ecologic informations none

13. information regarding recycling

recommendation : waste class similar to household waste, is to be recycled according to the local regulations

14. information regarding transportation

additional information: *not classified as a dangerous product in respect to transportation regulations*

15. prescription / instructions

No dangerous product / composition in respect to the classification of risks EEC
No: 594/91 dated 4.3.91 is stuck to, also No: 67/548 (very toxic materials).

H phrases: none

P phrases: none

National regulations: Germany

Water hazard class – no hazardous for water

16. other information

All information given in this certificate is based on our current knowledge and experience;
the figures and individual information do not describe any technical data of a product and
do not constitute a warranty of properties as defined by technical specifications.

Characterization according to REACH Regulation

The product is an article within the meaning of the Regulation (EC) No 1907/2006 (REACH) Article 3.

Hazards Identification

The product is no hazardous substance or hazardous mixture according to the German "Gefahrstoffverordnung", the European Regulation (EC) No 2008/1272 (CLP Regulation) or the Globally Harmonized System of Classification and Labelling of Chemicals (GHS). If the material is used as described in the respective Technical Data Sheet and Processing and Handling Instructions a danger by the product is not to be expected.¹

SVHC / REACH

The product contains no substance in a concentration of more than 0.1 weight-% listed in the Candidate List for Substances of Very High Concern (SVHC) for Authorisation published by the European Chemical Agency (ECHA) (<https://echa.europa.eu/candidate-list-table>).

RoHS

The maximum allowable concentrations defined in Annex 2 of Directive 2011/65/EU (RoHS) for the substances mentioned therein are complied with.

FCKW

According to the Regulation (EC) No 1005/2009 the product doesn't contain the there called substances that deplete the ozone layer.

Packaging Material

Packaging material used by ORAFOL for packaging its products fulfil the requirements of the Regulation (EC) 94/62/EC and of the German Regulation on the prevention and recycling of packaging waste (VerpackV).

Disposal of wastes

In Germany and in the EU, the product can be disposed of as household-type industrial waste (EU waste code number 20 03 01) if there are no other local or regional disposal rules. Otherwise, the disposal regulations of each country must be followed.

Basis of Evaluation

The basis of evaluation for the component related statements of this document form the components and additives which are used in the formulation of the product. These statements refer to the current condition of the product when leaving the factory site of ORAFOL Europe GmbH in Oranienburg.

This information is based on our current knowledge and practical experience. It cannot be excluded that minor traces are included in the materials due to contamination of single raw material components which cannot be avoided from the technical point of view. Routine analyses of our products concerning the contents of such substances are not carried out. For factors which are beyond our knowledge and control any guarantee and liability cannot be accepted.

¹ The Technical Data Sheet and the Processing and Handling Instructions for this product can be downloaded from www.orafol.com.

10/2016

PRODUCT CHARACTERISTIC SHEET and COC

PLEASE READ BEFORE USING!

Material: Pitbull™ Digital Print Vinyl

Part Nos: PB51550W, PB52050W, PB53050W, PB55450W

General Description: White, soft, flexible vinyl with a clear extremely aggressive permanent adhesive suited for hard-to-stick-to surfaces including Thermoplastic Olefin. This vinyl is suited for solvent ink jet printing and thermal printing. Different combinations of Convex™ or Pro-Shield™ laminates can be used to achieve a variety of decal thicknesses.

Thickness:	3 mil vinyl with 2 mil. of adhesive.	Adhesive Properties: 2 mils. of permanent acrylic pressure sensitive adhesive works for most surfaces including textured low energy plastic and metal surfaces
Outdoor Life:	2 years	
Shelf Life:	2 years stored at 70 F & 50%RH	
Service Temperature Range:	(-40° F to 176° F)	
Minimum Application Temp.:	50° F	

Tests performed | results:

Ultimate Peel from	Average OZ/IN	Test Method
Acrylic	108	ASTM D 903 (Modified for 72 hour dwell time)
Glass	106	
Polypropylene	71	
Stainless Steel	113	
Expected Shear Room Temp (hours)	40	ASTM D 3654 Method A a. 1 hrl dwell b. 1 sq. in. surface c. 4 lb. load
Tack (gm/sq cm)	1200	ASTM D 2979

CERTIFICATE OF CONFORMANCE (COC)

Sold to:		Lot No.:	
Buyer:		PO#	
Supplier:	Graphic Marking Systems	MFR Part No:	Top of the page
MFR Date:		Ship Date:	
		Supplier's Authorized Rep.:	<i>Demas Garcia</i>
		Title:	Converting Manager
		Date:	

Recommended Application Techniques:

Pitbull is ideal for LSE applications such as pelican cases and motorsport vehicles. When applying to curved smooth surfaces such as MX bike plastics, clean the plastic with alcohol or acetone to remove any "silicone" mould residue from the plastic. Due to the aggressiveness of the adhesive, wet application techniques may be preferred. If you are laminating with Pro-Shield™ laminate, use the aid of a heat gun to get the finished graphic to conform to complex curved shapes. Pitbull vinyl may not remove cleanly from surfaces.

GSP Software Settings:

5 mil. In Gerber's Plot program, click on the "123" button then on the substitute button and select vinyl. Select 3M 220 Premium or Gerber ImageCal from the pull-down menu as the vinyl to print on. If you are using laminates on top of the base material, you will have to determine the best cutter settings by test cutting the finished construction.

USE A 45° blade or 60° BLADE on any combination of material 8 mil or thicker.

Disclaimer:
All of the descriptive information listed above is our recommendation only. This information does not suggest or constitute a written or verbal warranty or guaranty of any kind by the manufacturer or distributor of this product. Although this material can be printed on with some solvent based printers, the surface characteristics of the material can change from roll to roll, and failure of optimal printing results are not a basis for returning the product. Purchasers of this product shall be responsible for independently determining the suitability of the material for the intended application. GMS0612 Graphic Marking Systems

Material Safety Data Sheet (MSDS)

Material Name: Pitbull™ Digital Print Vinyl		Company:	
Part Nos: PB51550W, PB52050W, PB53050W, PB55450W		Graphic Marking Systems	
Date Prepared:		Address: 28457 N. Ballard Rd., Suite A1 Lake Forest, IL 60045	
General Description: White, soft, flexible vinyl with a clear extremely aggressive permanent adhesive		Phone: 847-582-9276 Fax: 847-582-9282	
Composition and information on ingredients: Individual components of this product do not contribute to any known hazards. OSHA HAZARDOUS COMPONENTS (29 CFR1910.1200): NONE		UL Recognized: NO ROHS Compliant: YES REACH Compliant: YES	
Hazards Identification:			
POTENTIAL HEALTH EFFECTS: None			
ACUTE: No significant toxic hazard. When burned may produce toxic fumes.			
CHRONIC: No significant toxic hazard.			
None of the components present in this material at concentrations equal to or greater than 0.1% are listed by IARC, NTP, OSHA, or ACGIH as a carcinogen.			
First Aid Measures:		Fire Fighting Measures:	
Emergency and First Aid Procedures:		Flash Point: N/A	
ROUTES OF ENTRY:		Method Used: N/A	
Inhalation: N/A Skin: N/A		Auto-ignition Temperature: N/A	
Eyes: N/A Ingestion: N/A		Flammable, limits in Air % by Volume: LEL: N/A, UEL: N/A	
Accidental Release Measures: N/A		Extinguishing Media: Multi-rated ABC extinguisher or water	
Handling and Storage:		Unusual Fire and Explosion Hazards: None	
No special handling required other than storing away from excessive heat sources.		Special Fire Fighting Procedures: In case of fire, use self-contained breathing apparatus and full protective equipment - all fires liberate toxic gases.	
Exposure Controls and Personal Protection:		Physical and Chemical properties:	
Respiratory Protection: None required		Vapor Pressure (mm Hg): N/A Boiling Point: N/A	
Skin Protection: No precautions required		Vapor Density (air = 1): N/A Melting Point: N/A	
Eye Protection: None required		Appearance and odor: N/A Reactivity of water: N/A	
Exposure Guidelines: None established		Specific Gravity (H 0=1): N/A Solubility in water: N/A	
Engineering Controls: None required		Stability and Reactivity:	
Toxicological Information:		Stability: N/A	
Carcinogen Status: NTP: NONE IARC: NONE OSHA: NONE		Conditions to avoid: Fire or Excessive Heat	
Ecological Information: No Data Available		Incompatibility: None	
Transport Information:		Hazardous Decomposition Products: None	
TRANSPORTATION AND HAZARDOUS MATERIALS DESCRIPTION: Not a hazardous material for DOT shipping.		Hazardous Polymerization: Will not occur.	
Disposal Considerations: Waste Disposal: Dispose of in accordance with Local, State and Federal regulations.		Regulatory Information:	
Other Information:		OSHA STANDARD CFR 29, PART 1910.1200: This product is considered to be an "article" under this standard.	
The information contained herein is based on the data available to Graphic Marking Systems, and is believed to be correct. However, Graphic Marking Systems makes no warranty, expressed or implied, regarding the accuracy of these data or the results to be obtained from the use thereof. Graphic Marking Systems assumes no responsibility for injury from the use of the product described herein.		SARA 313 INFORMATION: This product contains no substances at or above the reporting threshold subject to the reporting requirement of section 313 of Title III of the Superfund Amendments and Reauthorization Act of 1986 and 40 CFR Part 371, based on available data.	
		CALIFORNIA PROPOSITION 65: CALIFORNIA PROPOSITION 65: The following statement is made in order to comply with the California Safe Drinking Water and Toxic Enforcement Act of 1986. WARNING: This product contains a chemical known to the State of California to cause cancer and birth defects or other reproductive harm.	

10/2014

PRODUCT CHARACTERISTIC SHEET and COC

PLEASE READ BEFORE USING!

Material: LEXAN® OVERLAMINATE

Part Nos: LEX51350CV, LEX52450CV, LEX55150CV

General Description: Clear LEXAN® with an embossed velvet texture and a clear permanent acrylic adhesive. Use for overlaminating. This laminate has excellent heat stability and resistance to scratches and finger prints. It is rated as a 5 year UV stable film with UV inhibitors to prolong the color of the graphics. It has a polyester liner for smoother lamination.

Thickness:	5 mil. Lexan®, plus 2.0 mils of adhesive.	Adhesive Properties: General purpose permanent acrylic pressure sensitive adhesive works on most surfaces.
Outdoor Life:	UV stable* for 5 years	
Shelf Life:	2 years stored at 70°	
Service Temperature Range:	(-40° F to 212° F)	
Minimum Application Temp.:	50° F	

Tests performed | results:

Ultimate Peel from	Average OZ/IN	Test Method
Stainless Steel	110	
Cohesive Properties (1 sq. in. x 1 kg)	100 + Hours	
Tack (gm/sq cm)	570	Polyken Probe Tack

CERTIFICATE OF CONFORMANCE (COC)

Sold to:				Lot No.:	
Buyer:		PO#		Supplier's Authorized Rep.:	<i>Demas Garcia</i>
Supplier:	Graphic Marking System	MFR Part No.:	Top of the page	Title:	Converting Manager
MFR Date:		Ship Date:		Date:	

Recommended Application Techniques:

Laminate with a cold pressure sensitive laminator or by hand. Applying too much reverse tension on the laminate may cause curling in the finished product.

GSP Software Settings:

In Gerber's Plot program, go to the cutter settings and set the Speed to 50, the Acceleration to 50, the Force to 50 or more depending on the age of your blade and what you are laminating to, and Sharp Corners to 90 or more. For best results, make some test cuts first.

USE A 45° blade or 60° BLADE on any combination of material 8 mil or thicker.

Disclaimer:
All of the descriptive information listed above is our recommendation only. This information does not suggest or constitute a written or verbal warranty or guaranty of any kind by the manufacturer or distributor of this product. Although this material can be printed on with some solvent based printers, the surface characteristics of the material can change from roll to roll, and failure of optimal printing results are not a basis for returning the product. Purchasers of this product shall be responsible for independently determining the suitability of the material for the intended application. GMS0612 Graphic Marking Systems

Material Safety Data Sheet (MSDS)

Material Name: LEXAN® 5 mil. OVERLAMINATE

Company:

Part Nos: LEX51350CV, LEX52450CV, LEX55150CV

Graphic Marking Systems

Date Prepared:

Address: 28457 N. Ballard Rd., Suite A1

Lake Forest, IL 60045

General Description: Clear LEXAN® with an embossed velvet texture and a clear permanent acrylic adhesive. Use for overlaminating.

Phone: 847-582-9276

Fax: 847-582-9282

Composition and information on ingredients:

Individual components of this product do not contribute to any known hazards.

OSHA HAZARDOUS COMPONENTS (29 CFR1910.1200): NONE

UL Recognized:	NO
ROHS Compliant:	YES
REACH Compliant:	YES

Hazards Identification:

POTENTIAL HEALTH EFFECTS: None

ACUTE: No significant toxic hazard. When burned may produce toxic fumes.

CHRONIC: No significant toxic hazard.

None of the components present in this material at concentrations equal to or greater than 0.1% are listed by IARC, NTP, OSHA, or ACGIH as a carcinogen.

First Aid Measures:

Emergency and First Aid Procedures:

ROUTES OF ENTRY:

Inhalation / Eyes: Upon over-heating Skin: non-Irritating

remove personnel to fresh air Ingestion: Non-Toxic

Fire Fighting Measures:

Flash Point: N/A

Method Used: N/A

Auto-ignition Temperature 330°

Flamable limits in Air % by Volume: LEL: N/A, UEL: N/A

Extinguishing Media: Water spray, carbon dioxide, or dry chemical

Unusual Fire and Explosion Hazards:

Special Fire Fighting Procedures: Respiratory and eye protection should be provided for trained fire fighting personnel to avoid contact with combustion products.

Accidental Release Measures: N/A

Handling and Storage:

No special handling required other than storing away from excessive heat sources.

Physical and Chemical properties:

Vapor Pressure (mm Hg)	N/A	Boiling Point:	N/A
Vapor Density (air = 1):	N/A	Melting Point:	176°- 446°
Appearance and odor:	Thin transparent film	Reactivity of water:	N/A
Specific Gravity (H 0=1)	N/A	Solubility in water:	Insoluble

Exposure Controls and Personal Protection:

Respiratory Protection: None required

Skin Protection: No precautions required

Eye Protection: None required

Exposure Guidelines: None established

Engineering Controls: None required

Stability and Reactivity:

Chemical: Stable

Conditions to avoid: Fire or Excessive Heat

Incompatibility: Avoid contact with strong acids and bases.

Hazardous Decomposition Products: Carbon monoxide, carbon dioxide, vinyl acetate, acetic acid, bisphenol A, diphenyl carbonate and phenol derivatives.

Toxicological Information:

Carcinogen Status: NTP: NONE IARC: NONE OSHA: NONE

Ecological Information: No Data Available

Transport Information:

TRANSPORTATION AND HAZARDOUS MATERIALS DESCRIPTION: Not a hazardous material for DOT shipping.

Regulatory Information:

OSHA STANDARD CFR 29, PART 1910.1200: This product is considered to be an "article" under this standard.

Disposal Considerations: Waste Disposal:
Dispose of in accordance with Local, State and Federal regulations.

Other Information:

The information contained herein is based on the data available to Graphic Marking Systems, and is believed to be correct. However, Graphic Marking Systems makes no warranty, expressed or implied, regarding the accuracy of these data or the results to be obtained from the use thereof. Graphic Marking Systems assumes no responsibility for injury from the use of the product described herein.

SARA 313 INFORMATION: This product contains no substances at or above the reporting threshold subject to the reporting requirement of section 313 of Title III of the Superfund Amendments and Reauthorization Act of 1986 and 40 CFR Part 371, based on available data.

CALIFORNIA PROPOSITION 65: The following statement is made in order to comply with the California Safe Drinking Water and Toxic Enforcement Act of 1986. This product does not, to the best of our knowledge and belief contain any of the chemicals on the current list of chemicals known to the State of California to cause cancer and birth defects or other reproductive harm.

If you have any questions or need to update your requests, please click e-mail link provided beneath quote.

QUOTATION: CSS083116SW *Amended

NAME: **Chrissy Sarcone**

COMPANY: **Shick Solutions**

DATE: 8/31/16 **10/14/16**

FROM: Susan Willens

ITEM: **4.6" x 1.8"** x .005 Pitbull vinyl labels with .005 Velvet Lexan overlamine; PMS Blue 299* on white background; round corners; all labels identical

QTY/UNIT COST:

3 @ \$17.57 each*

250 @ \$1.85 each

SET-UP CHARGE: **\$65.00 (initial order)**

ITEM: **9.5" x 3.25"** x .005 Pitbull vinyl labels with .005 Velvet Lexan overlamine; PMS Blue 299* on white background; round corners; all labels identical

3 @ \$17.57 each*

QTY/UNIT COST: 250 @ \$5.21 each

SET-UP CHARGE: **\$65.00 (initial order)**

*Both sizes ordered and delivered together.

IF ALL INFO & ACCURATE P.O. REC'D BY: 10/14/16

ESTIMATED SHIP DATE: 10/28/16

PGC PRODUCTION TIME FOR YOUR ORDER: 10 working days

ESTIMATED TRANSIT TIME: 1 day

ESTIMATED DOCK DATE if order placed on 10/14/16: 10/31/16

FOB: GRANDVIEW, MO.

RUSH SERVICE AVAILABLE AND CAN BE QUOTED UPON REQUEST:

YES XX NO

PAYMENT TERMS: Credit card with order

TO PLACE ORDER:

- Confirm order by email to susan@pgnameplates.com with high quality logo/art file (preferably vector)

SUBMITTED BY:

Photo-Graphics Co., Inc.

(816)761-3333 Fax: (816)761-3032

5100C Martha Truman Road

Grandview, MO 64030

www.nameplates-labels.com

To
 Chrissy Sarcone
 Shick
 4346 Clary Boulevard
 Kansas City, MO
 816-861-9745

<i>Account Executive</i>	<i>Project Description</i>
Justin A. Young	Adhesive Labels-2 sizes (2 Options-run digitally and run Litho)

<i>Quantity</i>	<i>Description</i>	<i>Line Total</i>
275	Adhesive labels-2 sizes-Gang run (RAN ON THE DIGITAL PRESS) 200-4x3 and 75-6x4 60# Permanent Adhesive Split 4/0 proc to resemble 1/0 pms 299	\$365.30
275	Adhesive labels-2 sizes-Gang run (RAN ON THE Litho PRESS) 200-4x3 and 75-6x4 60# Permanent Adhesive Split 1/0 pms 299	\$715.52
550	Adhesive labels-2 sizes-Gang run (RAN ON THE DIGITAL PRESS) 200-4x3 and 75-6x4 60# Permanent Adhesive Split 4/0 proc to resemble 1/0 pms 299	\$439.40
550	Adhesive labels-2 sizes-Gang run (RAN ON THE Litho PRESS) 200-4x3 and 75-6x4 60# Permanent Adhesive Split 1/0 pms 299	\$802.10
Subtotal		
Total		\$

Thanks you for your business!

Justin A. Young | Account Executive-Business Development
 Office 816-421-2100 | Cell 913-240-5703
justin.young@richardson-group.com

Richardson Communications Group
 1490 Southern Road
 Kansas City, MO 64120
Richardson-Group.com



SHICK SOLUTIONS
4346 Clary Blvd. Kansas City, MO 64130



Re: SHICK and SAM VINYL DECALS - 951

Scope: To Manufacture

Vinyl Shick Solutions decals (951)

(250) Large 12”h x 9.5”w (500) medium 8.5”h x 7”w (1000) small 4.5”h x 3.5”w

SAM valve decals (951)

(100) 5.5” h x 14” w

Patent Pending Stickers - Printed to match 951 Lt Blue

(100) 1”h x 6”w

QUOTE:

-  (250) Two Hundred And Fifty Large 12” h x 10” w Vinyl Shick Decals - 951.....\$1341.98/ \$5.37 each
-  (500) Five Hundred And Fifty Medium 8.5” h x 7”w Vinyl Shick Decals - 951.....\$1470.00 / \$2.94 each
-  (1000) One Thousand Small 4.5”h x 3.5” w Vinyl Shick Decals - 951.....\$1000.00/ \$1.00 each
-  (100) One Hundred 5.5” h x 14” w Vinyl SAM Decals.....\$384.00/ \$3.84 each
-  (165) One Hundred Patent Pending Print 1”h x 6”w Stickers.....\$150.00 min charge /.92 each
-  Subtotal\$4345.98

Thank you! Please let us know if you have any questions or concerns....
We accept Cash, Credit Cards, and Checks Please make checks payable to Keniki Co.

ESTIMATE Approved

OTHER

SIGN: _____ DATE: _____





Vinyl Shick Solutions decals (951)

(250) Large 12"H x 9.5"W (500) Medium 8.5"H x 7"W (1000) Small 4.5"H x 3.5"W

PROOF:



Vinyl Shick Solutions decals (951)

250 large 12"H x 9.5"W
500 medium 8.5"H x 7"W
1000 small 4.5"H x 3.5"W

SHICK™
SOLUTIONS

ESTIMATE Approved

OTHER

SIGN: _____ DATE: _____





(100) 5.5" x 14" Vinyl Graphic Decals 951 Lt. Blue Vinyl
(100) 6" x .75" Patent Pending Decals 951 Lt. Blue Vinyl

PROOF:



ESTIMATE Approved

OTHER

SIGN: _____ DATE: _____





== Taking the Lead with Precision and Speed ==

PHOTO-GRAPHICS CO., Inc.

5100C Martha Truman Rd.
Grandview, MO 64030
(816) 761-3333 Fax: (816) 761-3032

Invoice

34627

Date

11/18/2016

Sold To: SHICK SOLUTIONS INC.
4346 CLARY BLVD.
KANSAS CITY, MO 64130

Ship To: SHICK SOLUTIONS INC.
4346 CLARY BLVD
ATTN: JESSICA BENNETT / AARON IRVIN
KANSAS CITY, MO 64130

Date Shipped	Ship Via	Terms	Purchaser	Customer P.O. Number
11/18/2016	UPS Ground	NET 30	SARCONE	JHRISSEY SARCONE 11041

Quantity	Line #	Description	Unit Price	Extended Amount
250	1	9.5" X 3.25" Pitbull w/ Lexan Labels	\$5.21	\$1,302.50
250	2	4.6" X 1.8" Pitbull w/ Lexan Labels	\$1.85	\$462.50

INVOICE COMMENTS:

SUBTOTAL	\$1,765.00
SHIPPING CHARGES	\$28.09
SALES TAX	\$0.00

PLEASE PAY: \$1,793.09

Made in USA

Thank You!

Past due accounts subject to COD status



INVOICE

Keniki Co.
6302 NW 65th Street
Kansas City, Missouri 64151
United States

p:816.698.9700

BILL TO
Shick Solutions - Chrissy Sarcone
4346 Clary Blvd
Kansas City, MO 64130
o:816.861.9745

Invoice Number: 11082016-00

PO Number: V#3039

Invoice Date: 11/08/2016

Amount Due (USD): \$4501.40

Item	Description	Quantity	Unit Price	Amount
Vinyl Decal	Large 12"h x 10"w Vinyl SHICK Decals - 951 Lt. Blue Vinyl	250	\$5.37	\$1342.50
Vinyl Decal	Medium 8.5"h x 7"w Vinyl SHICK Decals - 951 Lt. Blue Vinyl	500	\$2.94	\$1470.00
Vinyl Decal	Small 4.5"h x 3.5"w Vinyl SHICK Decals - 951 Lt. Blue Vinyl	1000	\$1.00	\$1000.00
Vinyl Decal	5.5"h x 14"w Vinyl SAM Decals - 951 Lt. Blue Vinyl	50	\$3.84	\$192.00
Vinyl Decal	Patent pending Print 1"h x 6"w Stickers - to Match 951 Lt. Blue	165	\$0.91	\$150.00

TERMS: 50% Deposit with Balance Due Upon Completion

We accept cash, Credit Cards, and Checks
Please make checks out to Keniki Co.

Thank You for your Order!

Subtotal:	\$4154.50
+ 8.35%:	\$346.90
Total:	\$4501.40
Amount Paid:	\$0.00
Deposit:	\$0.00
Balance Due:	\$4501.40

Shick Solutions
4346 Clary Blvd.
Kansas City, MO 64130
P: 877.744.2587
SHICKSOLUTIONS.COM

